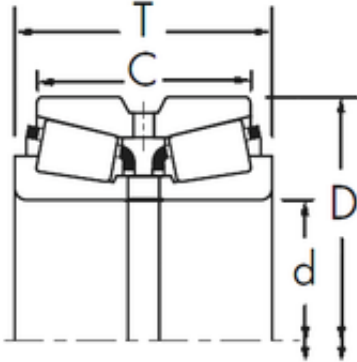




## Automobile portant des pièces Cie., ...

Timken 575/572D+X2S-575 Roulements à  
rouleaux coniques

Bearing No. 575/572D+X2S-575



575/572D+X2S-575 Bearing 2D drawings and 3D CAD  
models

Size	76.2x139.992x82.55 mm
Bore Diameter	76,2 mm
Outer Diameter	139,992 mm
Width	82,55 mm
d	76,2 mm
D	139,992 mm
T	82,55 mm
C	66,675 mm
R	3,5 mm
r	0,8 mm