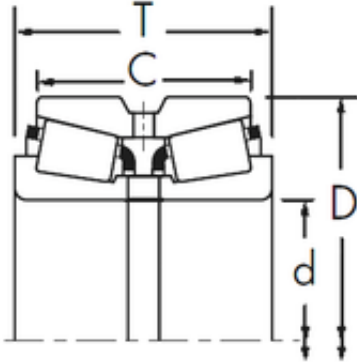




## Automobile portant des pièces Cie., ...



Timken 637/632D+X1S-637 Roulements à  
rouleaux coniques

Bearing No. 637/632D+X1S-637

Size	60.325x136.525x95.25 mm
Bore Diameter	60,325 mm
Outer Diameter	136,525 mm
Width	95,25 mm
d	60,325 mm
D	136,525 mm
T	95,25 mm
C	76,2 mm
R	3,5 mm
r	1,5 mm

637/632D+X1S-637 Bearing 2D drawings and 3D CAD  
models